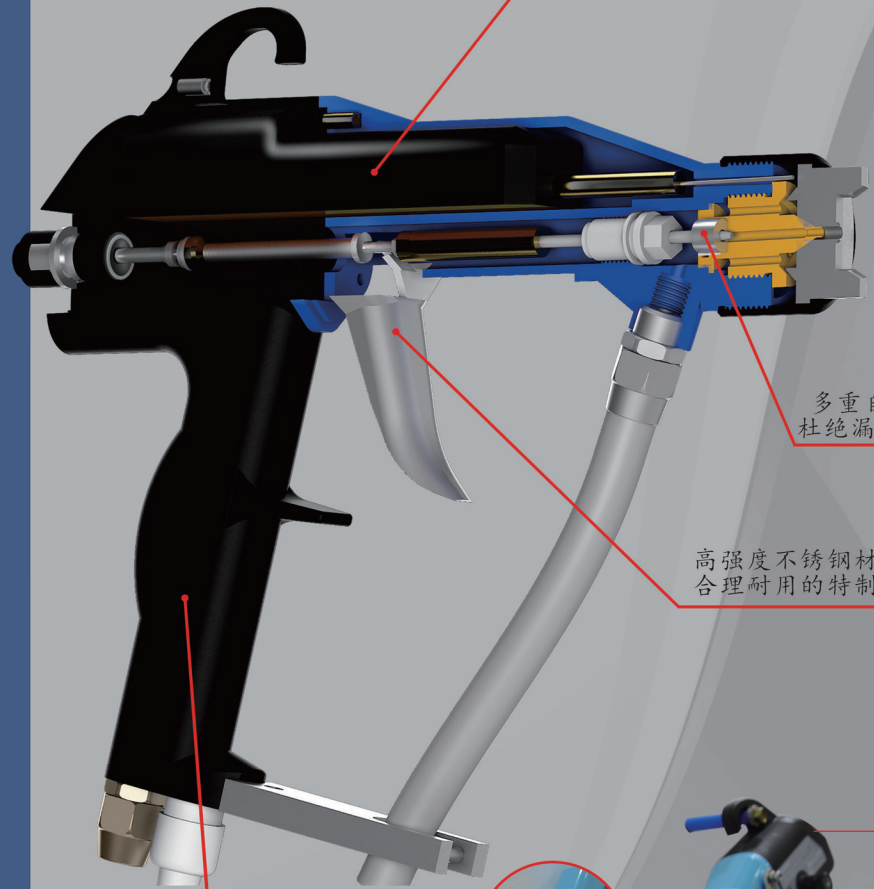


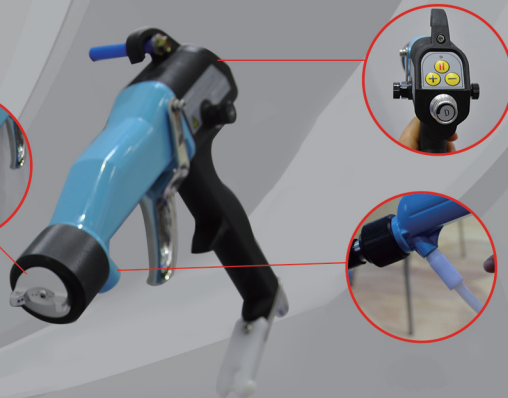
内置高压发生器，紧临枪嘴
摆脱沉重的高压电缆线
使涂料获得更高的带电率



多重自紧式密封设计
杜绝漏气、漏油等现象

高强度不锈钢材质，长期使用不变形
合理耐用的特制弹簧，减少肌肉疲劳

人体工程学手柄设计
轻巧舒适，单枪仅重396克



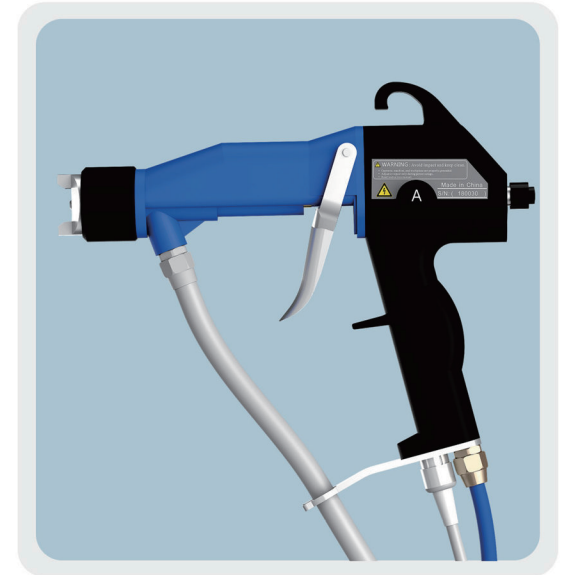
CL-GUN

手动液体静电喷枪

第三代手动智能液体静电喷枪采用先进的HES内置高压技术，高压发生器紧邻枪嘴，可减少静电在高压电缆输送过程中的损耗及电缆蓄电产生的火花现象，从而提高安全性能。

The third-generation manual intelligent liquid electrostatic spray gun of COLO uses advanced HES built-in high-pressure technology. The high-voltage generator is close to the nozzle, which can reduce the loss of static electricity during the transmission of high-voltage cable and the spark phenomenon caused by cable storage, thus improving safety performance.

涂料吐出量 (Volume): 5-700cc/min
最佳喷涂距离 (Spraying distance): 200-350mm
空气输入 (Air input): 0.5-0.8MPa
输出电压 (Output voltage): 0-80KV
恒流保护 (Max current): 60 uA
枪身重量 (Weight): 396g
枪身尺寸 (Size): 230*210*68mm



喷枪特征

- * 高品质的雾化性能
- * 安全的内置高压设计
- * 396克的枪身重量
- * 人体学设计手柄给您更舒适的喷涂体验
- * 使用方便，全参数枪上调节
- * 增加静电暂停与开启功能，满足复杂工件的喷涂需求
- * 合理的设计，精心的选材，枪体坚固耐用
- * 每把喷枪出厂都经过严格的测试

FEATURE

- * High quality atomization performance
- * Safe built-in high voltage design
- * 396 grams of body weight
- * Ergonomically designed handle for a more comfortable spray experience
- * Easy to use, full-parameter gun adjustment
- * Increase static pause and turn-on functions to meet the needs of complex workpieces
- * Reasonable design, careful selection of materials, strong and durable gun body
- * All spray guns are tested strictly before leaving the factory.

CL-3013

智能型油性静电喷枪

CL-3013 采用先进的高压静电技术，高压发生器紧邻枪嘴可减少静电在高压电缆输送中的损耗及电缆蓄电产生的火花现象从而提高上漆率与安全性能，高压系统可以根据喷枪与工件之间的距离自动跟踪调整电流强弱来保证安全作业。

CL-3013 adopts advanced high voltage electrostatic coating technology. High voltage generator is placed adjacent to the gun nozzle, which reduce the static loss in high voltage transmission and avoid spark discharge phenomenon. It will greatly improve the paint coating rate and ensure the safety of operation. The uniquely designed high pressure system can auto-adjust the current value accordingly by detecting the distance between spray gun and workpiece. It greatly improve the safety of operation.

最佳喷涂距离 (Spraying distance): 200-350mm
空气输入 (Air input): 0.5-0.8MPa
恒流保护 (Max current): 60 uA
主机尺寸 (Size): 136*136*180 mm
主机重量 (Weight): 3Kg

注：本机可选配油性系和水性系



CL-3015

便携型油性静电喷枪

CL-3015 体积小，背部安装磁环，让您在工作中可以放置于任何角落。外接供油泵及静电喷枪就可以进行静电涂装。非常适合小批量生产和实验性喷涂。

CL-3015 is small in size and has a magnetic ring on the back for you to it can be placed in any corner of the work. Electrostatic coating can be performed by an external oil supply pump and an electrostatic spray gun. Ideal for small batch production and experimental spraying.

外型尺寸 (Size): $\phi 110 \times 57$ mm
空气输入 (Air input): 0.5-0.8MPa
输出电压 (Output voltage): 0-80KV
恒流保护 (Max current): 60 uA
主机重量 (Weight): 0.3Kg



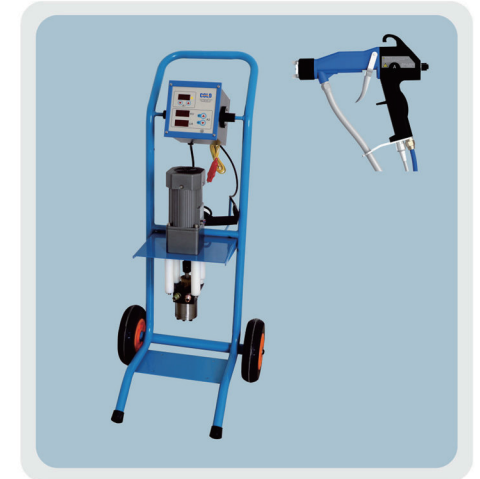
CL-3006

精准型数字控油静电喷枪

CL-3006 是一款数字控油型液体静电喷枪，外形靓丽，控油精准，操作灵活。以数字形式控制齿轮泵出油量大小，保证了喷涂效果的一致性。本设备结构简单，整机小巧灵活却不失大方，能满足您不同环境，不同工件的静电喷涂，且携带方便，易于搬迁。

CL-3006 is an integrated intelligent digital oil control electrostatic spray gun. It has a beautiful appearance, with precise oil control and easy to operate. The consistency of spraying performance is ensured by digital controlling the paint supply amount of the gear pump. The structure of this equipment is simple. The whole machine is small, flexible and generous. It can satisfy the electrostatic spraying with different environment and on different workpiece. It is also convenient to carry and move around.

涂料吐出量 (Volume): 5-700cc/min
最佳喷涂距离 (Spraying distance): 200-350mm
空气输入 (Air input): 0.5-0.8MPa
输出电压 (Output voltage): 0-80KV
恒流保护 (Max current): 60 uA
整机重量 (Weight): 19.5Kg



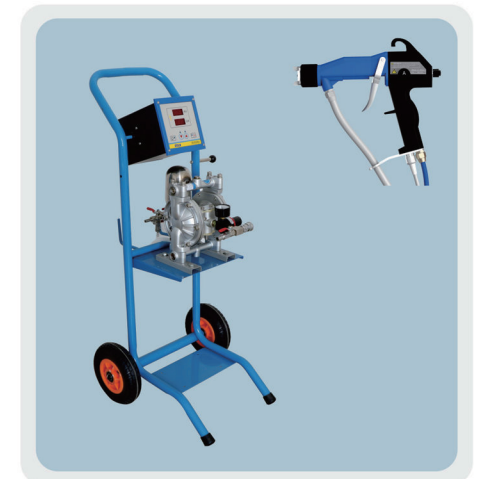
CL-3009

一体式油性静电喷枪

静电系统与气动供漆系统一体化集成方案，具有节省空间，方便移动，整洁美观的特点。高端的静电喷涂技术在实现高品质涂层的同时，大大节省油漆的使用量。

The integration of electrostatic system and pneumatic paint supply system has the characteristics of saving space, easy to move, clean and beautiful. The high end electrostatic spraying technology not only can make high-quality coating, but also can greatly save the application amount of paint.

涂料吐出量 (Volume): 20-500cc/min
最佳喷涂距离 (Spraying distance): 200-350mm
空气输入 (Air input): 0.6-0.8MPa
输出电压 (Output voltage): 0-80KV
恒流保护 (Max current): 60 uA
整机重量 (Weight): 22Kg





CL-3007

水性精准型静电喷枪

数字化控油的水油通用液体静电喷枪，涂料由精密齿轮泵供给，以实现油漆流量数字精准控制。
1、喷涂水性和金属漆产品时无需隔离，静电效果好
2、数字化控油设计，操作简单、直观、精准

Digital oil control water and oil universal liquid electrostatic spray gun, coating by Precision gear pump supply to achieve precise digital control of paint flow.

1. No need to isolate when spraying water and metal paint products, good electrostatic effect
2. digital oil control design, simple, intuitive and accurate operation

涂料吐出量 (Volume): 5-700cc/min
最佳喷涂距离 (Spraying distance): 200-350mm
空气输入 (Air input): 0.5-0.8MPa
输出电压 (Output voltage): 0-80KV
恒流保护 (Max current): 60 uA
整机重量 (Weight): 29Kg



CL-3009A

水性实用型静电喷枪

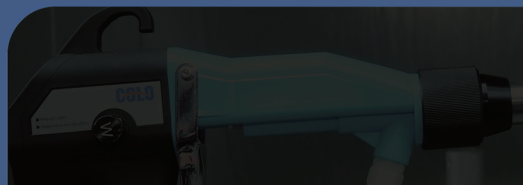
CL-3009A 针对水性涂料采用专业的设计、独特的构造,让您的施工工艺像油性涂料那样潇洒自如,不再需要为漏电、没静电、静电弱等烦恼;
CL-3009A 水性静电喷枪美观大方,结构合理,采用隔膜泵供漆系统,稳定性好,经济实惠。
优点: 静电强、涂料带电充分、上漆快、包覆效果好等。

CL-3009A is aimed at waterborne paint with professional design and unique structure which makes your operation be as elegant and unconventional as oil paint operation. You will no longer need to upset for the problems of leakage, non electrostatic and weak electrostatic.

The waterborne electrostatic spray guns of CL-3009A are beautiful and generous with reasonable structure, good stability, economical and affordable by using diaphragm pump paint supply system.

Advantages: strong electrostatic, full paint live electric, fast lacquering, superb coating performance and so on.

涂料吐出量 (Volume): 20-500cc/min
最佳喷涂距离 (Spraying distance): 200-350mm
空气输入 (Air input): 0.5-0.8MPa
输出电压 (Output voltage): 0-80KV
恒流保护 (Max current): 60 uA
整机重量 (Weight): 25Kg



CL-3026

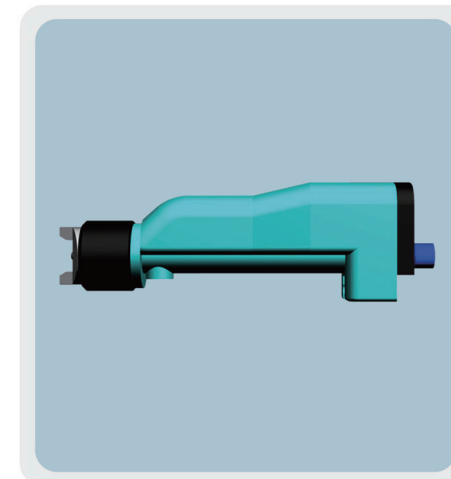
智能液体自动静电喷枪

CL-3026 采用微电脑芯片静电处理技术与数字化控制系统,具有更高的安全性和规范精准化操作。

自动化程度高,适用于流水线大批量连续作业,大幅度提高生产效率。

CL-3026 adopts microcomputer chip electrostatic processing technology and digital control system, which has higher security and standardized precision operation.
High degree of automation, suitable for large-scale continuous operation of the assembly line, greatly improving production efficiency.

涂料吐出量 (Volume): 5-700cc/min
最佳喷涂距离 (Spraying distance): 200-350mm
空气输入 (Air input): 0.5-0.8MPa
输出电压 (Output voltage): 0-100KV
恒流保护 (Max current): 60 uA
枪身重量 (Weight): 320g
枪身尺寸 (Size): 185*62*40mm



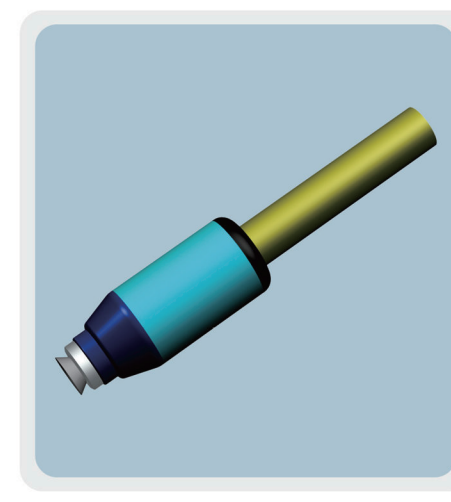
CL-3029

气悬浮静电旋杯

- * 转速最高达80000转/分钟,雾化极佳
- * 振动更小,噪音更小
- * 结构精密,体积小,重量轻
- * 雾化调整范围大
- * 高速旋转没有任何机械摩擦,理论上永不磨损

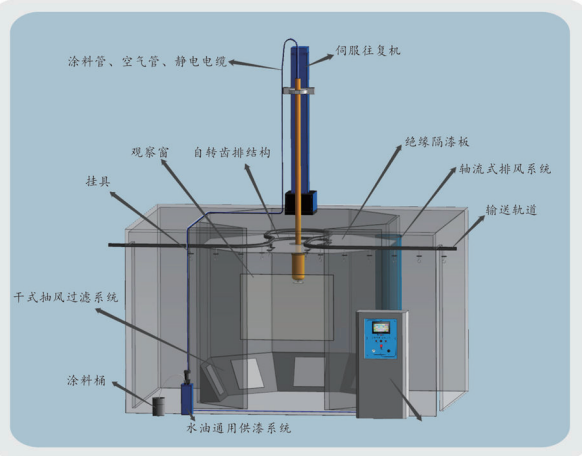
- * High speed up to 80,000 rpm, excellent atomization
- * Less vibration and less noise
- * Precise structure, small size and light weight
- * Large atomization adjustment range
- * High-speed rotation without any mechanical friction, theoretically never wear

空载转速 (Unload speed): Max 80000rpm/min
旋杯口径 (Rotary cups caliber): $\phi 30$, $\phi 50$, $\phi 70$ (mm)
涂料吐出量 (Volume): 5-700cc/min
最佳喷涂距离 (Optimum spraying distance): 200-350mm
空气消耗量 (Air consumption): 约0.9Nm³/min
输出电压 (Output voltage): 0-100KV



DISK旋碟式自动喷涂系统

Rotary Disk Automatic Spraying System



主要参数(Main parameters):

雾化头最高转速(Max. speed):

空载(Empty): 约50000rpm/min

负载(Load): 约25000rpm/min

往复机(Reciprocating machine):

行程(Standard stroke): 1500mm (标配)

往复速度(Reciprocating speed): 5-65m/min (可调)

变速(Variable speed)

多段无级变速(More segments stepless variable speed)

供漆量(Paint supply): 5-700ml/min

控制柜(Control system):

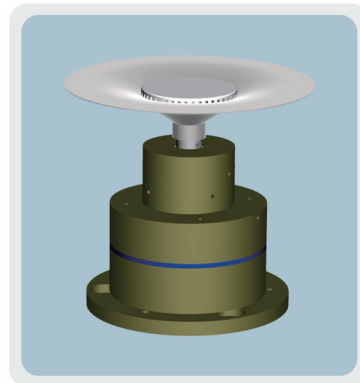
静电电压(Static voltage): 0-120kv可调

显示(Display): 10.2寸触摸屏(Touch screen)

外型(Dimensions): 1700*700*400mm

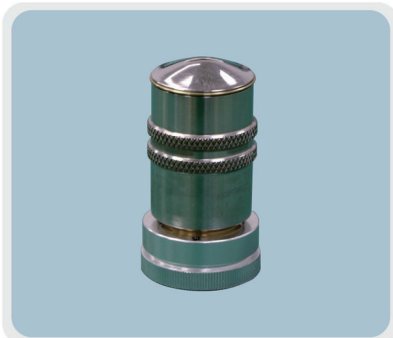
性能特点

1. 漆膜均匀丰满，附着力和装饰性均良好
2. 生产效率高，配合流水线工作，效率是人工喷涂的3-8倍，节省人力资源
3. 提高了油漆的利用率，上漆率可达95%，比一般人工手喷漆节省油漆30-60%左右
4. 漆膜质量高，附着力好，均匀、光洁
5. 大大减少漆雾飞散和污染，减少喷房维护
6. 最新的磁悬浮雾化系统，拥有更高的转速，最高可达50000转/分钟
7. 高速运动中没机械摩擦，理论上永不磨损



CHARACTERISTICS

- 1.The paint film is even and fullness, the adhesion and decoration are perfect.
- 2.The production efficiency is high. The efficiency is 3-8 times as much as artificial spray working with assembly lines, which can save human resources.
- 3.Improved utilization rate of paint. The paint rate is up to 95%. And it saves about 30-60% of paint than ordinary artificial spray.
- 4.The quality of film is high, the adhesion is good, uniform and smooth.
- 5.Greatly reduced the paint mist flying, pollution and spray booth maintenance.
- 6.The latest magnetic suspension atomization system with higher speeds up to 50,000 rpm
- 7.No mechanical friction in high-speed motion, theoretically never wear



CL-3311 圆形白铁喷嘴

- * 材质: 304不锈钢、黄铜
- * 喷涂宽幅: 7-25mm
- * 雾化气压: 0.3-0.7MPa
- * 特点: 1、雾化细腻 2、包覆效果好
3、圆形雾状 4、出漆柔和

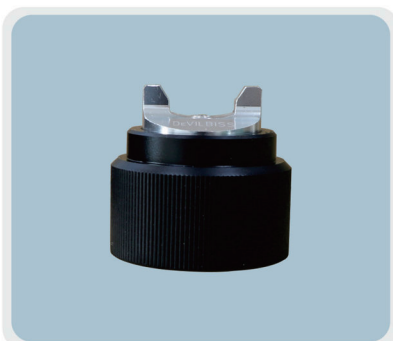
- * Material: 304 stainless steel, brass
- * Spray width: 7-25mm
- * Atomization pressure: 0.3-0.7MPa
- * Features: 1. Fine atomization 2. Good coating effect
3. Round mist 4. Soft paint



CL-3312 圆形塑钢喷嘴

- * 材质: 高密度塑钢、黄铜
- * 喷涂宽幅: 4-15mm
- * 雾化气压: 0.3-0.7MPa
- * 特点: 1、雾化细腻 2、包覆效果好
3、圆形雾状 4、出漆较急

- * Material: High-density plastic steel, brass
- * Spray width: 4-15mm
- * Atomization pressure: 0.3-0.7MPa
- * Features: 1. Fine atomization 2. Good coating effect
3. Round mist 4. More urgent paint



CL-3313 扇形喷嘴

- * 材质: 高密度铝合金
- * 喷涂宽幅: 4-35mm
- * 雾化气压: 0.3-0.7MPa
- * 特点: 1、雾化好 2、包覆效果一般
3、扇形雾状 4、出漆急

- * Material: High density aluminum alloy
- * Spray width: 4-15mm
- * Atomization pressure: 0.3-0.7MPa
- * Features: 1, Good atomization 2, The general effect of coating
3, Fan-shaped fog 4, Paint urgent

CL-3326 精密齿轮泵

- * 材质: 碳钢
- * 可选型号: 3cc/RPM 5cc/RRM
- * 出油量: 5-420ml/min 5-700ml/min
- * 特点: 1、供油精准 2、持续不间断供油
3、流量快速调节 4、耐磨损、耐腐蚀

- * Material: carbon steel
- * Optional model: 3cc/RPM, 5cc/RRM
- * Oil output: 5-420ml/min, 5-700ml/min
- * Features: 1, Accurate oil supply
2, Continuous uninterrupted oil supply
3, Rapid flow adjustment
4, Wear and corrosion resistance



CL-A10 气动双隔膜泵

- * 材质: 不锈钢, 铝合金
- * 流量: 20-500ml/min
- * 气压范围: 0.1-0.7Mpa
- * 噪音: <70dB
- * 特点: 1、安全: 无火花及热量 2、可以空运行
3、体积小易移动 4、耐磨损、耐腐蚀

- * Material: Stainless steel, aluminum alloy
- * Flow rate: 20-500ml/min
- * Pressure range: 0.1-0.7Mpa
- * Noise: <70dB
- * Features: 1, Safety: no sparks and heat
2, Can run empty
3, Small size and easy to move
4, Wear and corrosion resistance



Application-Industry

